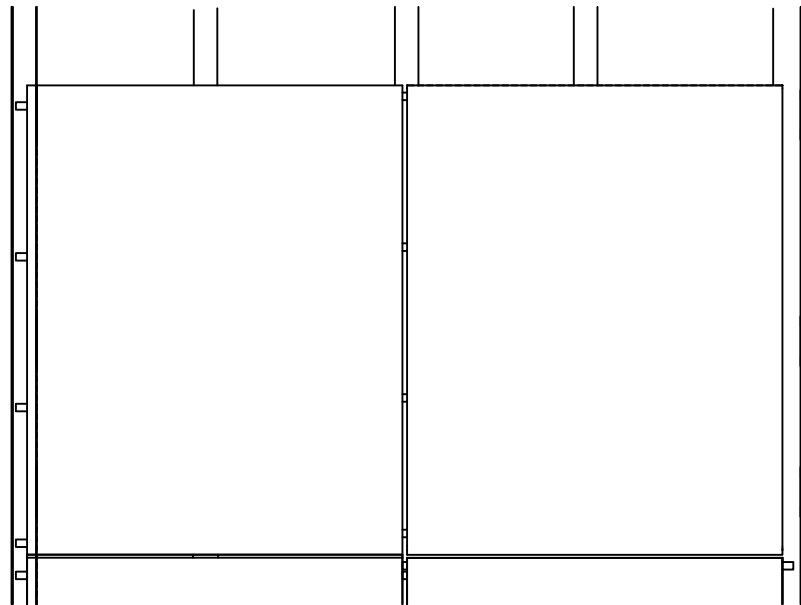


D2

BUILDING WALL ASSEMBLY

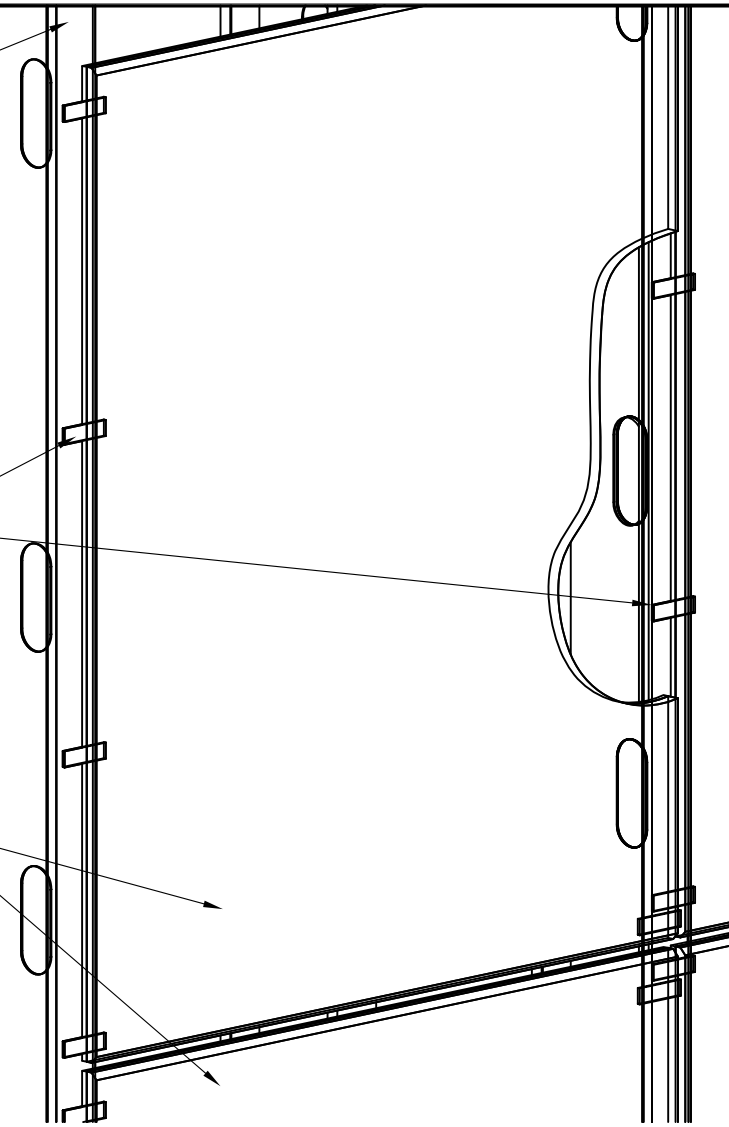


ANCHOR PLATE SYSTEM

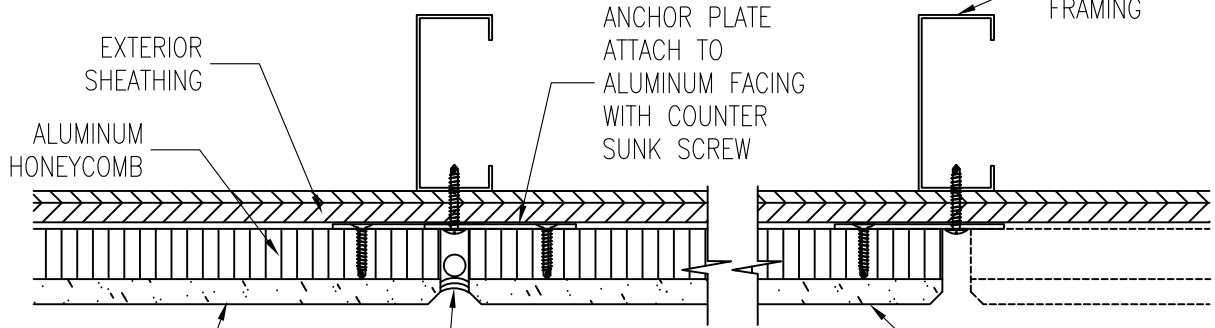
SET IN SHOP ANCHOR PLATE

STONEPLY PANELS

STUD FRAMING



D1 ANCHOR PLATE SYSTEM NTS



D2 WALL SECTION DETAIL NTS

NATURAL STONE FINISH FACE

BACKER ROD AND SEALANT

ALL RIGHTS RESERVED. THIS DRAWING IS PROPERTY OF STONEPLY. AND MAY BE USED ONLY WHEN UTILIZING STONEPLY PRODUCTS. STONEPLY. GENERAL TERMS AND CONDITIONS APPLY AND INCORPORATE HERE IN BY REFERENCE. THIS DETAIL MAY NOT APPLY TO ALL CONDITIONS AND CONSTRUCTION SITUATIONS.



STONEPLY

4400 Oneal Street, Greenville, TX 75401 Phone 903.454.4630 Fax 903.454.0233

TITLE: ANCHOR PLATE ATTACH SYSTEM

FILE NUMBER: **AGD2**